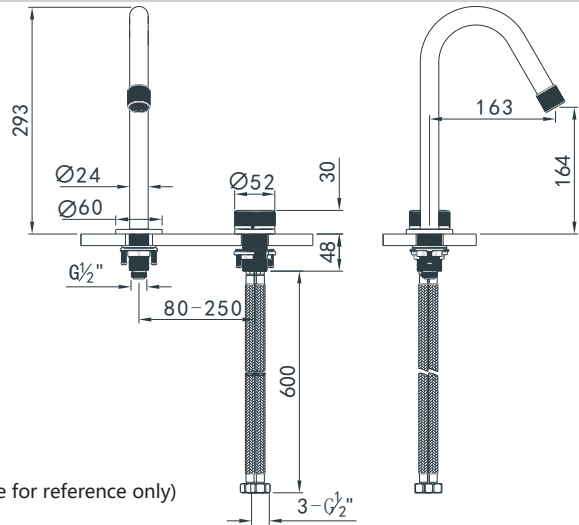




## 1. Installation precautions

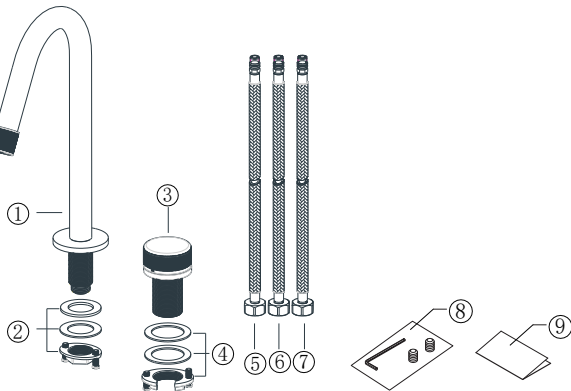
1. After opening the packaging, check the completeness of the accessories according to the "Standard Accessories List". If there is any defect, please contact your local distributor immediately.
2. The installation size of the purchased faucet should match the installation size of the embedded inlet pipeline.
3. The main part of the faucet has been tested by the factory. Please do not disassemble it yourself to avoid affecting its performance.
4. The faucet is connected to the cold and hot water pipes. Special attention: connect hot water to the left and cold water to the right.
5. Before installing the faucet, remove impurities from the embedded pipeline. To avoid blockage and affect the water outlet function.
6. After installation, turn on the water source. Then check if all connections are tightly connected to ensure there are no leaks.
7. The internal structure of the faucet contains heat-resistant components such as silicone, and should not be used for a long time in water temperatures exceeding 90 ° C.
8. Applicable water pressure: 0.05Mpa~0.75Mpa.
9. The hose should not be excessively bent, and after installation, ensure that the hose does not deform.

## 2. Appearance dimension diagram



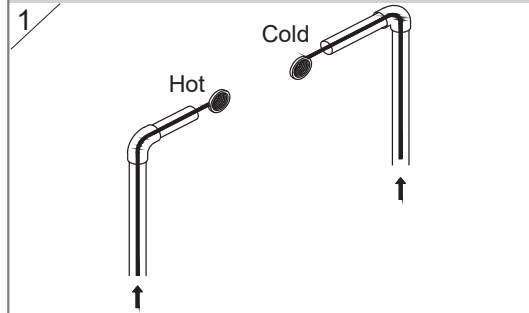
Unit: mm  
(The dimensions shown are for reference only)

## Комплектующие

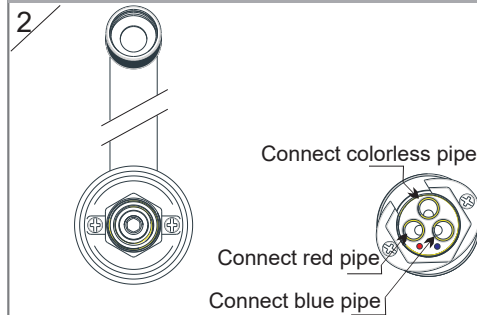


NO.	NAME	QTY
1	Outlet pipe group	1
2	Closed fixed nut set	1
3	Valve body	1
4	Opening fixing nut set	1
5	Red inlet pipe	1
6	Blue inlet pipe	1
7	Connecting pipe	1
8	Kit	1
9	Manual	1

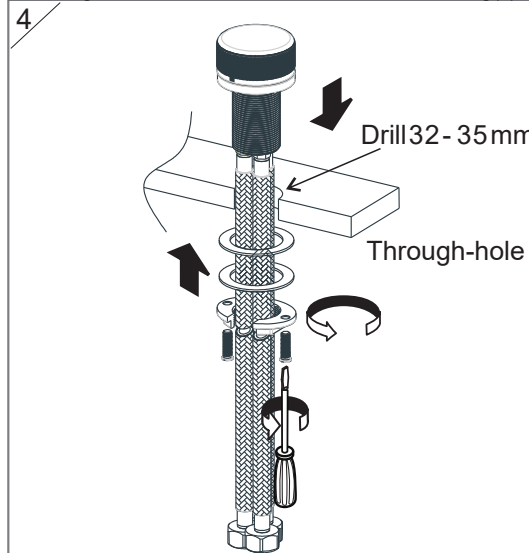
## 4. Installation steps



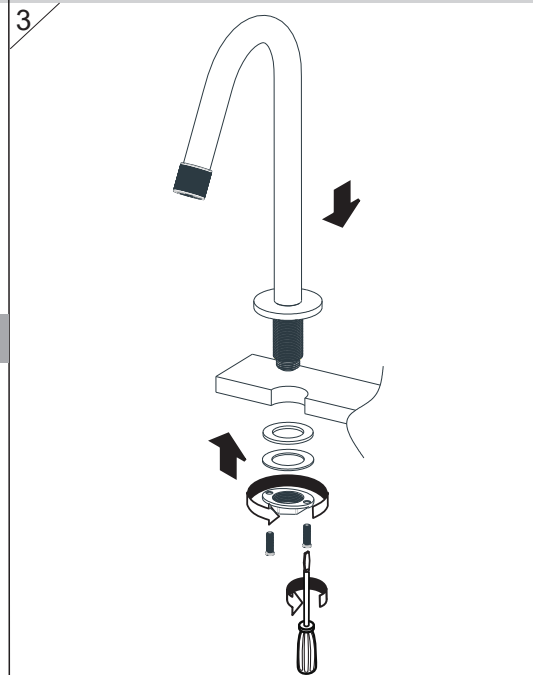
1. Before installing the faucet, the embedded pipeline must be flushed



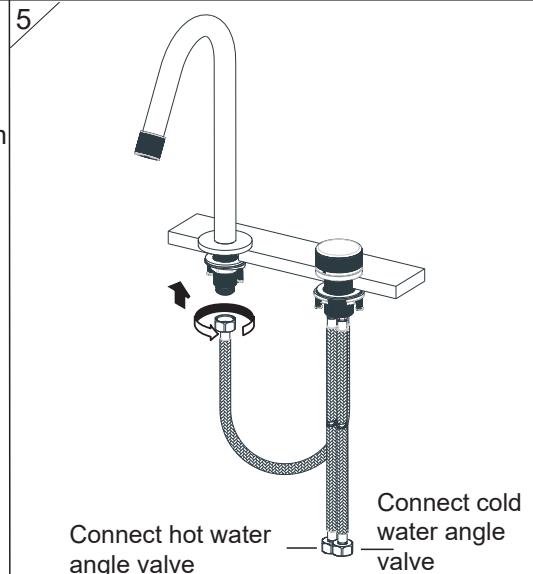
2. The red inlet pipe is connected to the red dot inlet hole, and the blue inlet pipe is connected to the blue dot inlet hole. Connect the remaining water outlet to the colorless water outlet connecting pipe.



4. Install the valve body assembly onto the table and tighten the gasket and nut onto the outlet pipe in sequence. Then tighten the screws with a screwdriver.



3. Install the water outlet pipe group onto the table and tighten the gasket and nut onto the water outlet pipe in sequence. Then tighten the screws with a screwdriver.



5. Connect the colorless connecting pipe to the outlet pipe group. Connect the red and blue inlet pipes to the hot and cold water angle valves respectively